

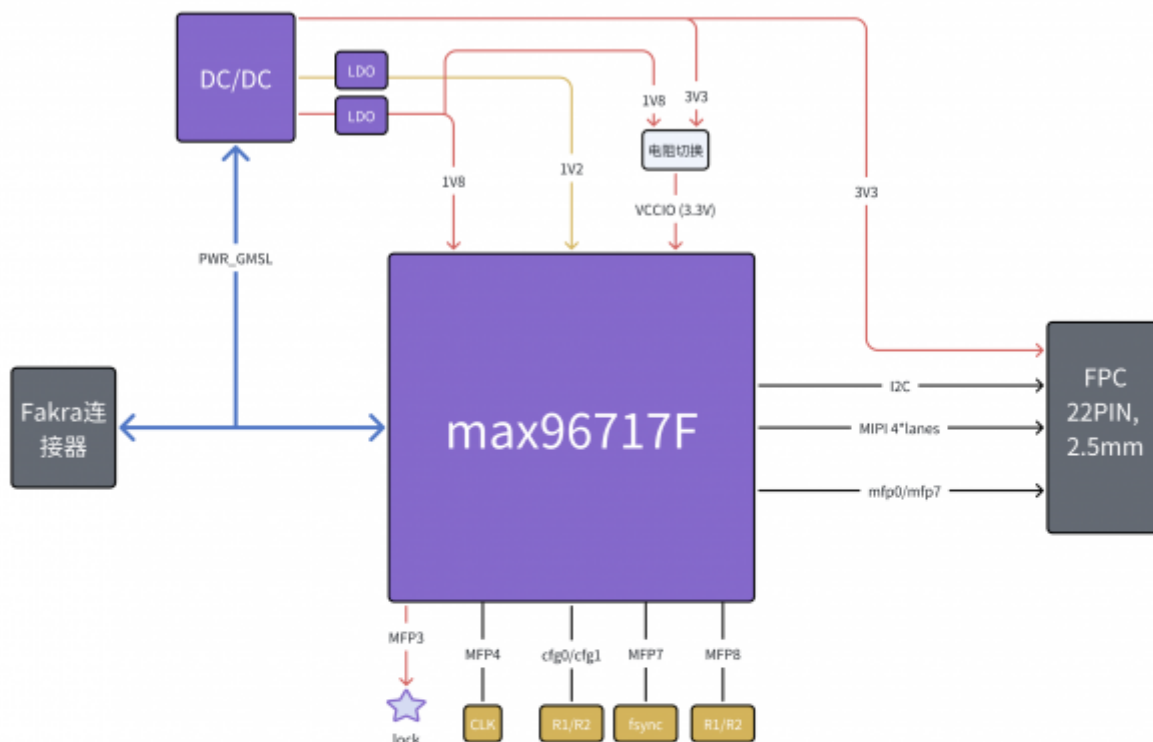
目录

- max96717f串化板_树莓派接口** 3
 - 系统框图** 3
 - 主要特点** 3
 - 电路说明** 4
 - FPC接口说明** 4
 - 使用说明** 5
 - 3D渲染图** 5

max96717f串化板_树莓派接口

系统框图

型号: YIT_SER96717FIO33FPC15



默认配置:

I2C ADDR: 0x80

CLK: XTAL

STP/COAX: coax,

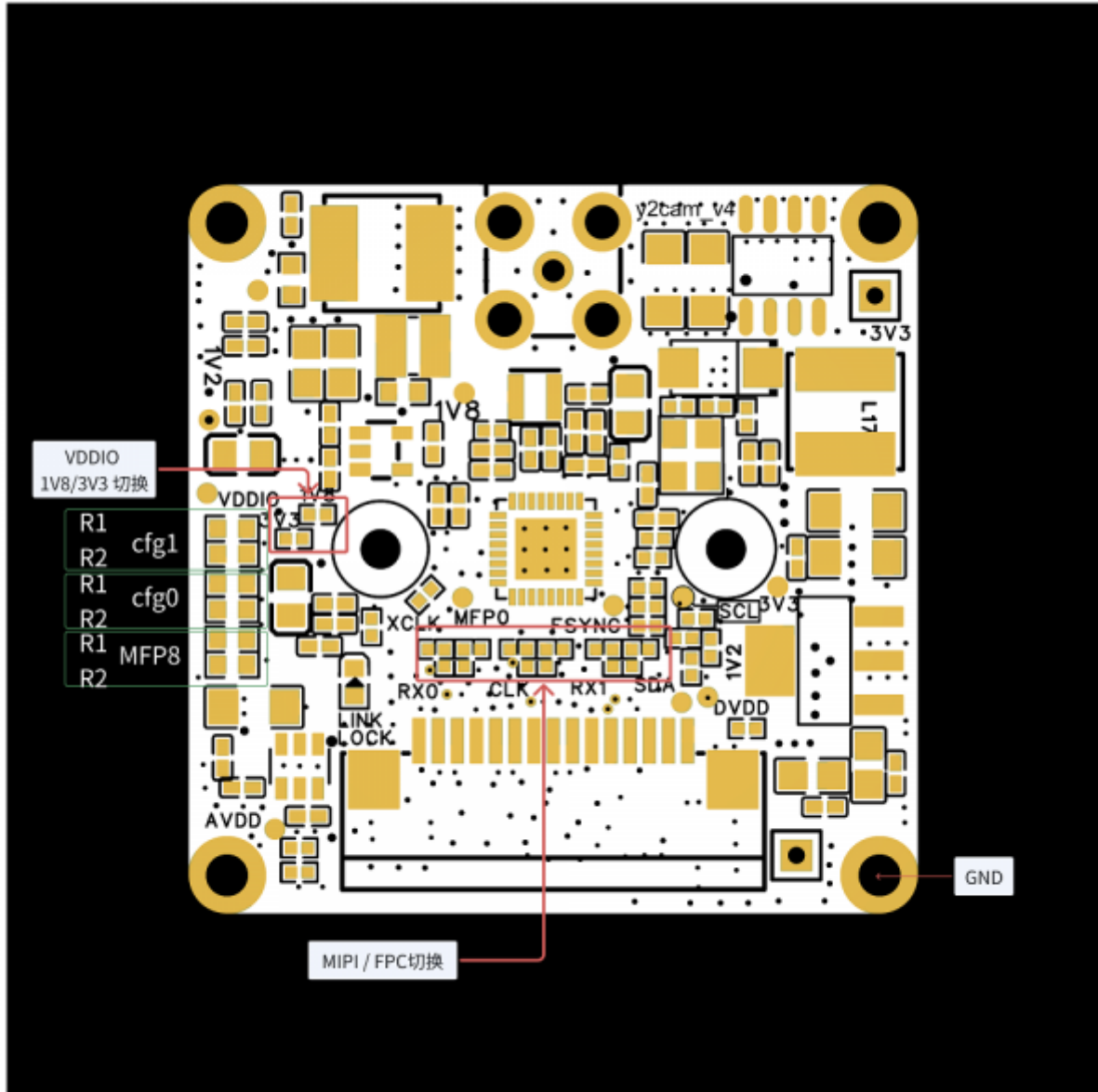
MODE: GMSL2, 3Gbps

VCCIO: 3V3

主要特点

- 15pin标准树莓派ZERO接口
- 预留24pin摄像头OV5640接口 (无需其它辅助电路)
- IO口电压3.3V/1.8V可切换 (连接OV5640时必须使用1.8V)
- 引出串化器主要GPIO

电路说明



FPC接口说明

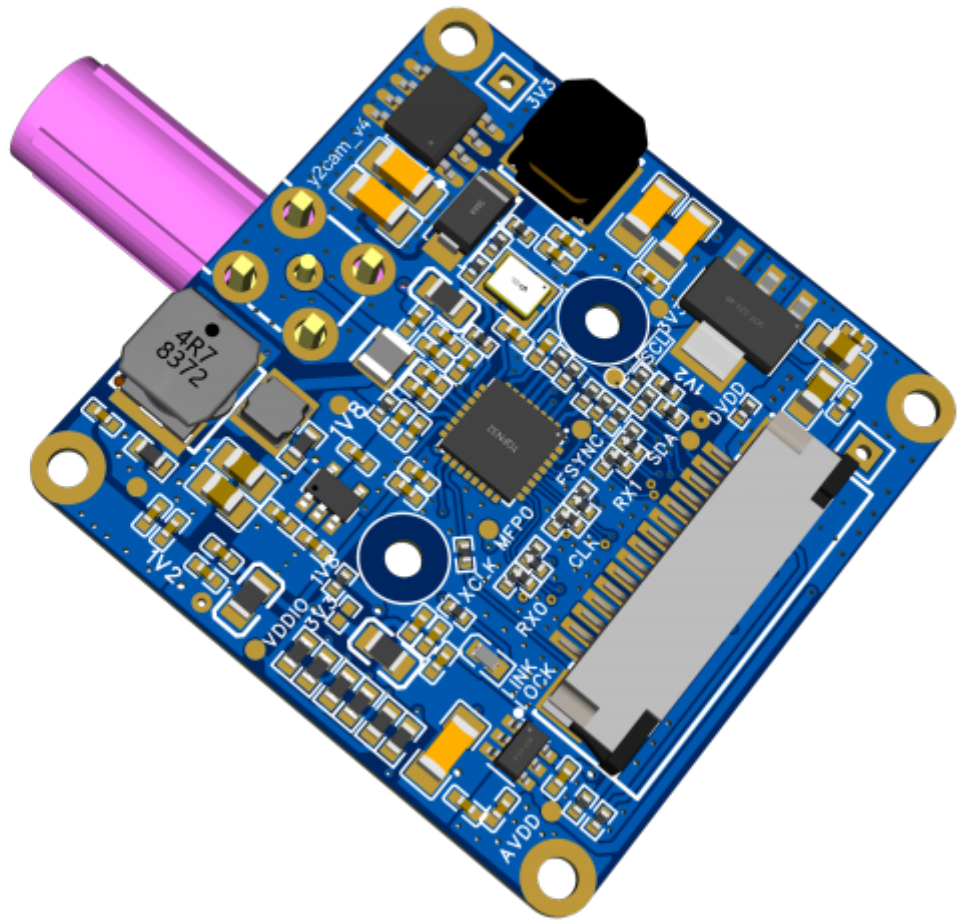
Raspberry Pi Camera Pinout (15-Pin)

Pin #	Name	Description
1	GND	Ground
2	CAM_D0_N	MIPI Data Lane 0 Negative
3	CAM_D0_P	MIPI Data Lane 0 Positive
4	GND	Ground
5	CAM_D1_N	MIPI Data Lane 1 Negative
6	CAM_D1_P	MIPI Data Lane 1 Positive
7	GND	Ground
8	CAM_CK_N	MIPI Clock Lane Negative
9	CAM_CK_P	MIPI Clock Lane Positive
10	GND	Ground
11	CAM_IO0	Power Enable
12	CAM_IO1	LED Indicator
13	CAM_SCL	I2C SCL
14	CAM_SDA	I2C SDA
15	CAM_3V3	3.3V Power Input

使用说明

1. mipi接口默认连接至15pin FPC接口
2. VDDIO为3v3(串化器所有数字接口FPC的GPIO/I2C接口相同电平)
3. 默认地址0x80, 默认模式GMSL2/3Gbps/Pixel mode.

3D渲染图



From: <https://wiki.yytech.cc/> - YYT Docs

Permanent link: https://wiki.yytech.cc/doku.php?id=%E6%89%A9%E5%B1%95%E5%8D%A1:max96717f%E4%B8%B2%E5%8C%96%E6%9D%BF_%E6%A0%91%E8%8E%93%E6%B4%BE%E6%8E%A5%E5%8F%A3

Last update: 2024/01/15 19:05

